

CARBURETTOR
TILLOTSON HB-15A



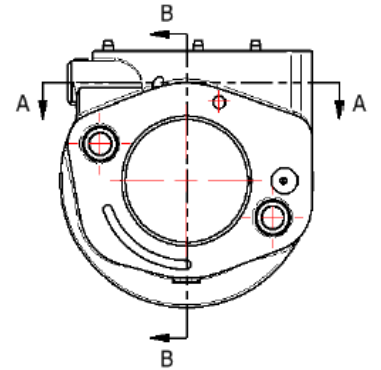
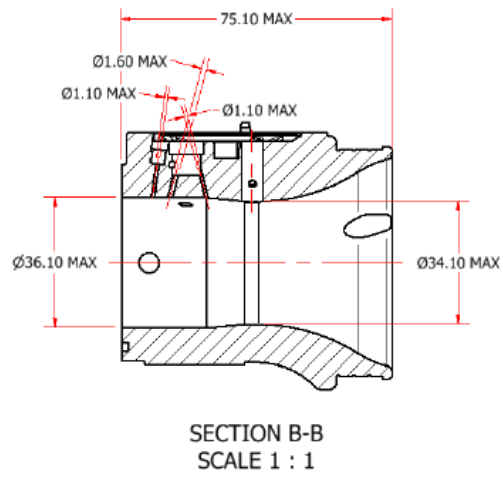
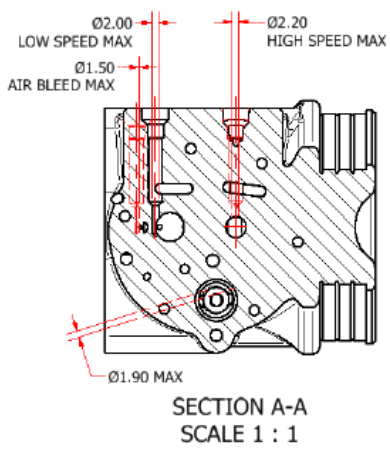
PHOTO OF ADJUSTING SIDE



PHOTO OF INLET SIDE

Manufacturer	TILLOTSON LTD.
Make	TILLOTSON
Model	HB-15A

SECTION VIEW



FLANGE SIDE "IAME" MARKING



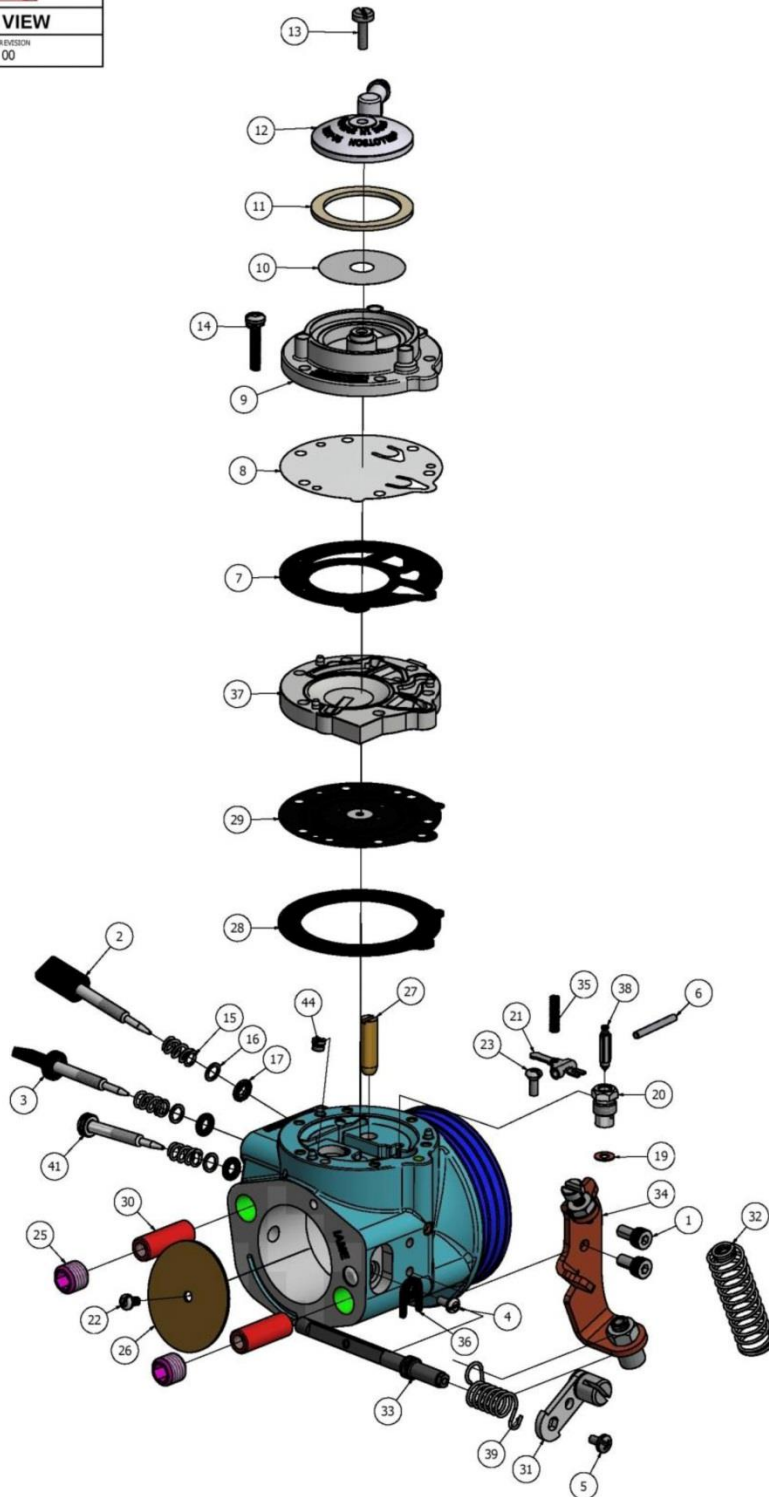
LASER MARKING "IAME"

CARBURETTOR DESCRIPTION AND SKETCH OF PARTS



HB-15A EXPLODED VIEW

DATE 27/03/2018	DRAWN BY P.B	REVISION 00
--------------------	-----------------	----------------



ITEM	QTY	PART NUMBER	DESCRIPTION	ITEM	QTY	PART NUMBER	DESCRIPTION	ITEM	QTY	PART NUMBER	DESCRIPTION
1	2	15-C67	M4 X 0.7 SOCKET CAP SCREW	17	3	44-361	ADJUSTMENT SCREW O-RING	35	1	24-C296	INLET TENSION SPRING
2	1	43-1029	8-32 UNC ADJUSTMET SCREW	19	1	16-B199	+* INLET SEAT GASKET	36	1	29-253	THROTTLE SHAFT CLIP
3	1	43-1030	8-32 UNC ADJUSTMET SCREW	20	1	36-A42	+ INLET SEAT	37	1	91-A275	FUEL PUMP BODY
4	1	15-C19	4-40 UNC SCREW	21	1	155-A27	+ INLET CONTROL LEVER	38	1	34-229	+ INLET NEEDLE
5	1	15-C52	4-40 UNC SCREW	22	1	15-C20	4-40 UNC SCREW	39	1	24-C353	THROTTLE RETURN SPRING
6	1	32-79	FULCRUM LEVER PIN	23	1	15-B329	FULCRUM LEVER SCREW	41	1	43-A254	ADJUSTMENT SCREW
7	1	16-B392	+* PUMP GASKET	25	2	81-382	RETAINING NUT	44	1	49-B58	FIXED JET
8	1	237-223	FUEL PUMP DIAPHRAGM	26	1	14-A127	THROTTLE SHUTTER				
9	1	141-89	FUEL PUMP BODY	27	1	363-332	MAIN NOZZLE			*	REPAIR KIT CONTENTS
10	1	95 - 170	FUEL STRAINER SCREEN	28	1	16-B408	METERING GASKET			+	DIAPHRAGM & GASKET KIT CONTENTS
11	1	16-B205	+* FUEL STRAINER COVER GASKET	29	1	237-698	+* DIAPHRAGM ASSEMBLY				
12	1	91-A251	FUEL STRAINER COVER	30	2	81-381	CARBURETTOR MOUNTING NUT			RK-1HB	REPAIR KIT
13	1	15-B313	5-40 UNC SCREW	31	1	12-1220	THROTTLE LEVER ASSEMBLY			DG-1HB	DIAPHRAGM & GASKET KIT
14	6	15-C51	6 - 32 UNC SCREW WITH L/W	32	1	24-C334	CABLE RETURN SPRING			233-717P	INLET NEEDLE & SEAT SET
15	3	24-B449	ADJUSTMENT SCREW SPRING	33	1	13-B237	THROTTLE SHAFT				
16	3	78A-256	ADJUSTMENT SCREW WASHER	34	1	136-568	CABLE BRACKET ASSEMBLY				

PARTS OF CARBURETTOR

REF.28 - P. N°16-B408
DIAPHRAGM GASKET



Thickness = 1.0 ± 0.1 mm

REF.7 - P. N° 16-B392
PUMP DIAPHRAGM GASKET



Thickness = 0.8 ± 0.1 mm

REF.29 - P. N°237-698
DIAPHRAGM



Thickness = 0.13 ± 0.07 mm

REF.8 - P. N°237-223
PUMP DIAPHRAGM



Thickness = 0.075 ± 0.07 mm

REF.37 - P. N° 91-A275
DIAPHRAGM COVER



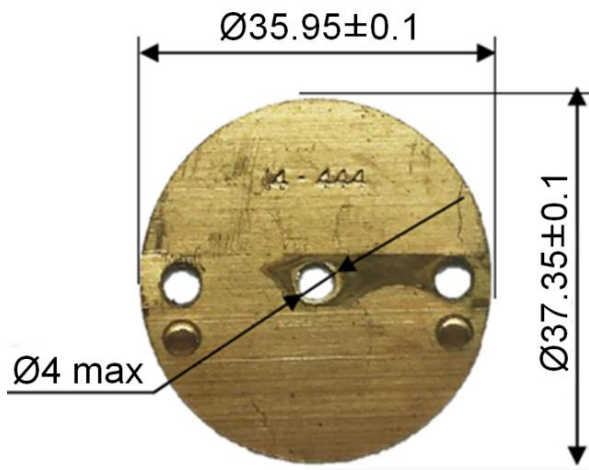
Thickness = 6.75 ± 0.15 mm

REF.9 - P. N° 141-89
PUMP COVER



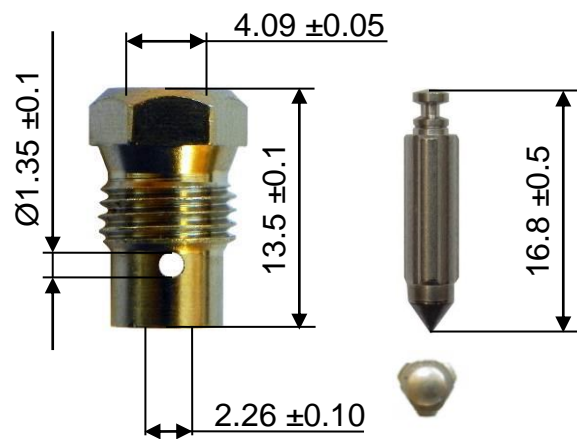
Thickness = 12.5 ± 0.15 mm

REF.26 - P. N° 14-A127
THROTTLE SHUTTER



Thickness = 0.81 ± 0.1 mm

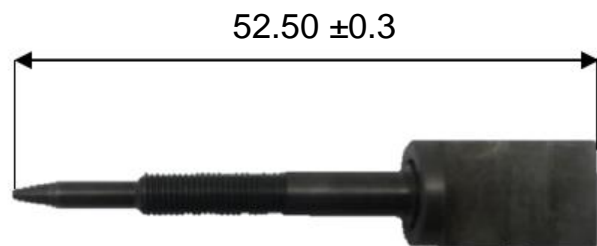
REF.20 / 38 - P. N° 233-717P
SEAT + NEEDLE



REF.2 - P. N° 43-1029
NEEDLE LOW SPEED



REF.3 - P. N° 43-1030
NEEDLE HIGH SPEED



REF.41 - P. N° 43-A254
NEEDLE AIR BLEED



REF.44 - P. N° 49-B58
FIXED JET

